

## Peace of mind protection during power failures . . . powerfail transfer for ground or loop start trunks

The Models 154-8 (48VDC) and 154A-8 (24VDC) provide bypass for up to 8 trunks when the power fails. See Ordering Information chart for model numbers.

Easily installed using parallel connections, the Model 154 products work with ground start or loop start trunks and have automatic ground start built-in. They can be activated by power failure, a manual bypass switch or a ground from a local or remote location. The Model 154 can also be set up to control auxiliary equipment with two sets of relay contacts. You may install multiple units to handle more than 8 trunks.

When the power is returned, the Model 154 will restore only those powerfail trunks that are idle. Others are restored only after they become idle. Calls are never lost a second time!

Don't be fooled by Uninterrupted Power Supplies (UPS). They only protect against power outages. The 154 provides full protection against system equipment failures as well as power outages.



### Benefits

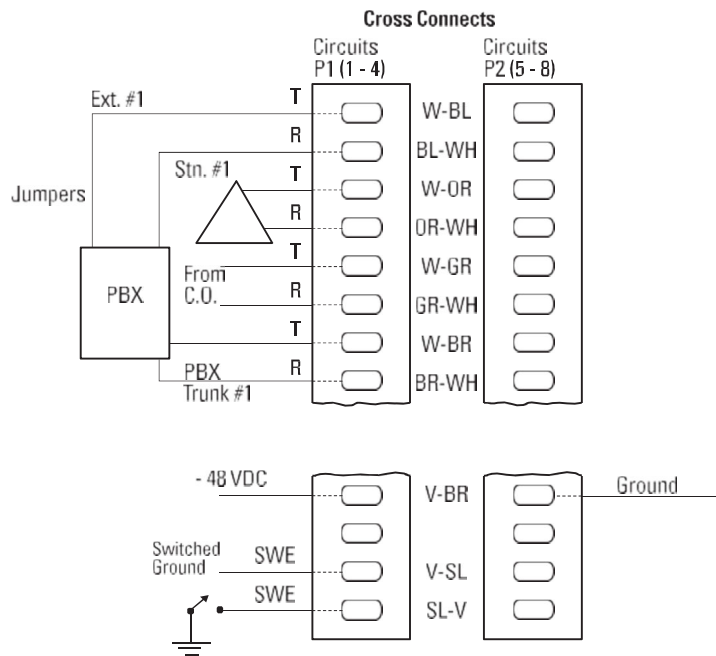
- Connects dedicated telephones directly to Central Office during powerfail or major alarm
- Automatic ground start
- Calls in progress are not interrupted when power is restored
- Parallel connections simplify installation
- Activated by powerfail, manual bypass switch or remote ground
- LED power indicator
- Can be remotely activated
- 2 sets of auxiliary contacts, one normally open, one normally closed

### Application

Every successful organization thrives on efficient communication links with clients and suppliers. If you fall into this category, you cannot miss a call. It could be a customer calling with an order or a supplier calling with a delivery date. Communications by telephone lines, whether voice or data, are crucial to a business's success. That's why power failure can hurt your company. When the power goes out, your communications link with the rest of the world is severed unless you have the Model 154 Powerfail Bypass unit installed in your facility. It's the obvious solution for every business and organization. When the power goes out, or you have a major alarm, you will continue to receive calls and business goes on as usual. You can even control auxiliary equipment using the Model 154 such as an auto-dialer to inform another branch or customer that your power is down.



## Installation



## Ordering Information

Model 154-8	8 Trunk Powerfail 48VDC
Model 154A-8	8 Trunk Powerfail 24VDC
Model 154A-8/PSU	8 Trunk Powerfail 24VDC with Power Supply

## Specifications

	Min	Typical	Max	Unit
<b>Electrical</b>				
Operating Supply Voltage				
Model 154-8	40		56	VDC
Model 154A-8	20		28	VDC
Operating Supply Current				
Model 154-8			100	mA (DC)
Model 154A-8			180	mA (DC)
Loop Current	20		120	mA (DC)
Auxiliary Contacts				
Current			2	A (DC)
Voltage			30	VDC
Power			30	VA
<b>Environmental</b>				
Operating Temperature				
	32		158	°F
	0		70	°C
<i>(intended for indoor use only)</i>				
Humidity (non-condensing)			95 %	RH

## Dimensions (LxWxH)

9.25" x 5.4" x 1.58" (23.5 cm x 13.7 cm x 4 cm)

## Shipping Weight

1.80 lbs. (0.82 kg) -- Models 154-8, 154A-8

2.20 lbs. (1.0 kg) -- Model 154A-8/PSU

## Certification

DOC CS03

CSA C22-2 No. 225-M90

FCC Part 68

UL 1459-2

## Approval Number

350 1976 A

LR 65726

FCNCAN-22540-OT-N

D05921080C and

D0292442DBC