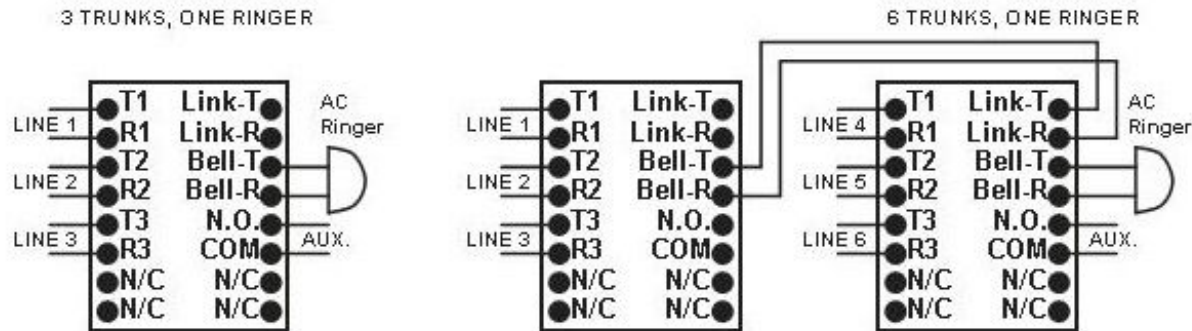


## Model 173W - 3 Trunk Common Ringer Matrix

### INSTALLATION



- INSTALLATION diagram is also inside the top cover.
- Trunk Tip & Ring are not polarity-sensitive.
- Units can be daisy-chained by connecting BELL output to LINK input pair of next 173W.
- Ground connection is not required.
- Press wires into Guides, then feed through hole in end-plate.
- Snap top cover in place to complete the installation.

### SPECIFICATIONS

Electrical:	Min.	Max.	Units
Ring Detection Voltage	40	130	VAC
R.E.N. (ringer equivalence)		1.4	B
Contact Rating (Normally Open)		2	Amps

Caution: Contact protection required when driving inductive loads.

**Environmental:** (Note: Intended for indoor use only)

Temperature	0	50	°C
	32	122	°F
Humidity	0	95	%RH

**Dimensions:**

Length	127 mm (5 inches)
Width (includes mounting tabs)	127 mm (5 inches)
Height	38 mm (1.5 inches)

**Certification:**  
FCC Part 68  
FCN8E3-71872-KX-N

