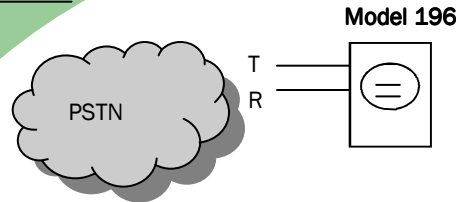


# Ringling Applications

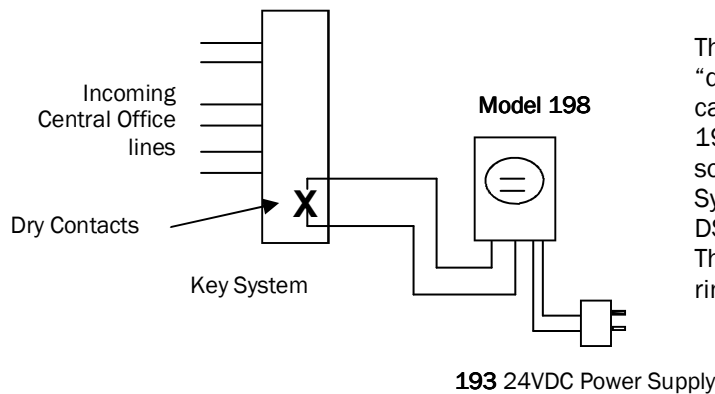
## Central Office



**Product Required:** Model 196 Stinger Ringer

The Model 196 connects directly across the Tip and Ring of a C.O. line. It does not require external power. It can be plugged into a modular jack with the telephone using a T-Adapter. It operates from 40 to 135 V RMS, 16 to 66 Hz ringing voltage.

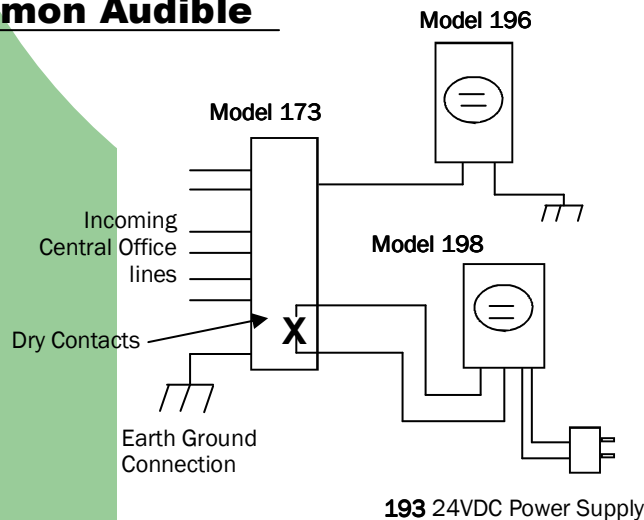
## Key System



**Product Required:** Model 198

The Model 198 needs 24volts DC and a "dry" contact closure to operate. The unit can be ordered with a power supply as 198/PSU or you can connect it to a local source of 24VDC @250ma. Typically a Key System 'common audible' output or our DSI-375 provides the contact closure. The contact should close any time a C.O. line rings, sounding the Model 198 ringer.

## Multi-Line Ringing/ Common Audible



**Products Required:** 173 Ringer Matrix and either Model 196 or Model 198/PSU

For applications that require a common audible when any one of a number of C.O. lines ring, the Model 173 can be used. It will pass the ringing to a single output, as well as close a contact during the ring burst.

When driving the 196 it is very important to ensure the correct polarity of all C.O. line connections, and that a solid earth ground connection is made.

When only the "dry" contact closure is required, polarity and grounding are not important.

When the ringing application is from the station side of a PBX or Key System, it becomes necessary to determine if the ringing signal is analog or digital. Station side applications are unique given the many different systems available, but typically a solution can be provided. We are available to consult with you on your specific needs for ringing.

Contact us at 1-800-654-5604 or sales@dees.com to discuss your application.